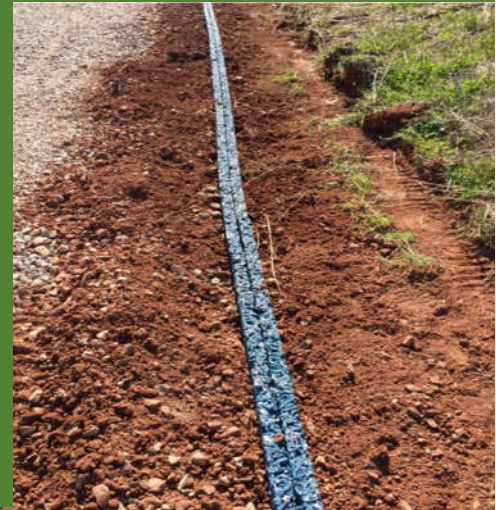


# HydrBlox™



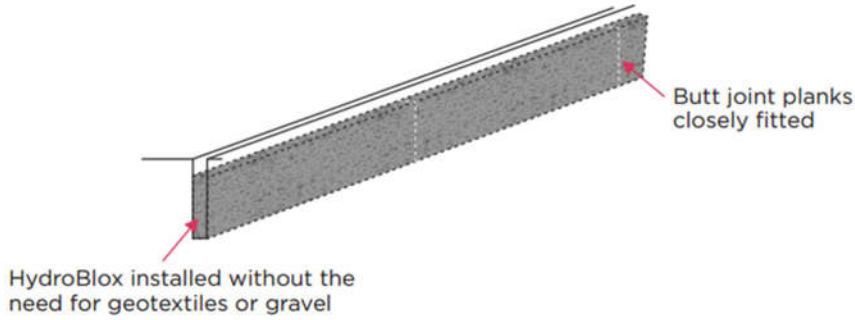
## Jointing and Connections

Superior To Traditional Methods | Unbeatable Installation Time  
Significant Cost Savings | Lightweight & Easy To Transport  
Minimal Ground Disturbance | Reduced Labor Requirements  
360° Water Reprocessing | Made From Recycled Plastics  
No More Blocked Drainage Channels

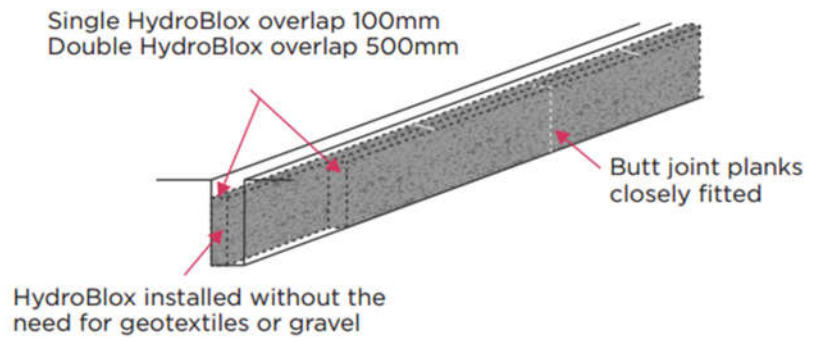


## Jointing

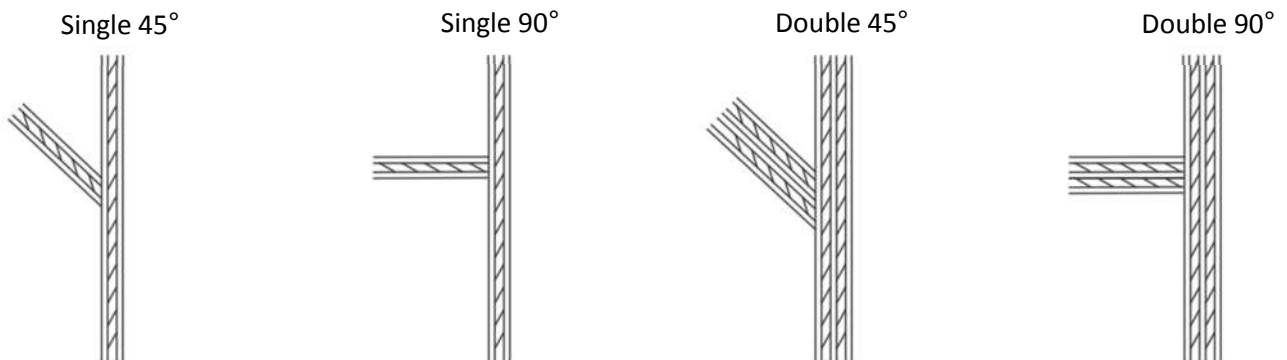
### Butt Joint



### Lap Joint

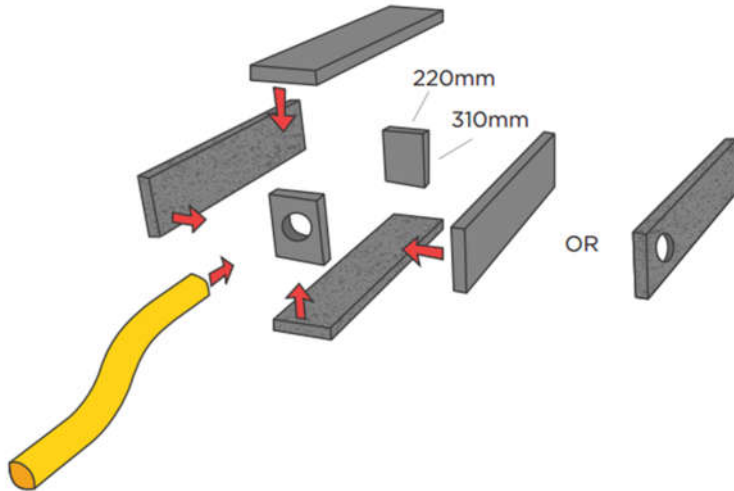


### Mitre Joints



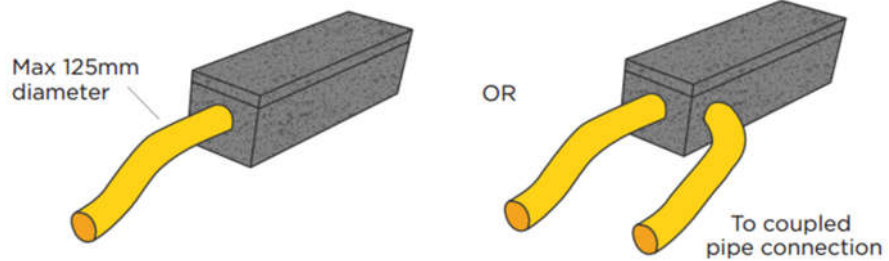
## HydroBlox Connection Box

### Assembly

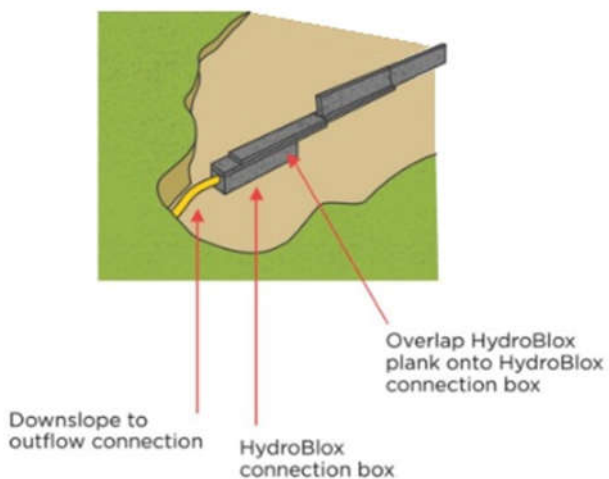


### Connection Box Options

Completed HydroBlox connection box  
1000mm x 220mm x 310mm



### Installation

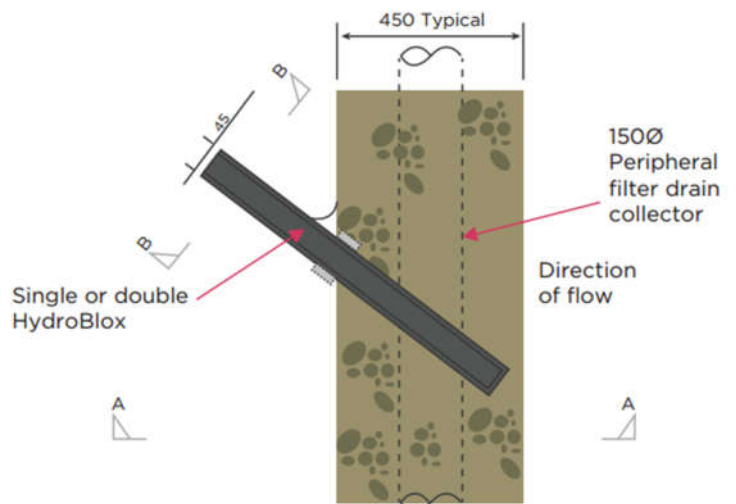


## Land Drain Connection

Angled T-Bar



Connection



Section



Contact Us

[pete@drainage-technology.com](mailto:pete@drainage-technology.com)

(855) 938-9000